



## OASYS LABORATORY TEST PUNCHES AND FLEX TESTER



OEP200 PC/PVC PUNCH

### OEP200 PC/PVC PUNCH

- Suitable for 1-Up Polycarbonate and PVC/PET punching
- Desk top professional ISO compliant punch unit
- Material size typically from 2 x 1 to 8 x 1 presentation strips
- Rigid, robust construction



OEP100 PUNCH UNIT

### OEP100 PVC PUNCH UNIT

- 1-UP Electric Punch Unit
- ISO 'Bank' Card Quality
- Pressure switch activated



### OMP100 PUNCH UNIT

- Non ISO card sampling
- Hand operated

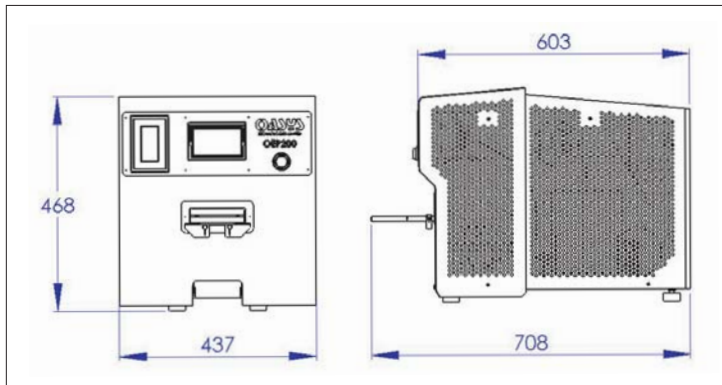


### OFT100 FLEX TESTER

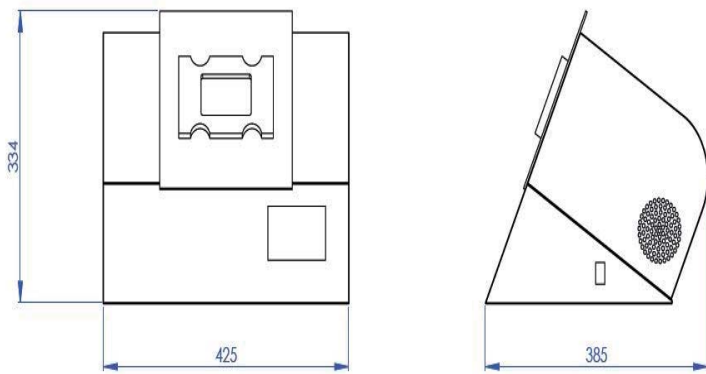
- Guarantees flex and torsion testing to ISO standard
- Takes up to 5 cards in each station
- Counter facility upto 10,000

# Specifications

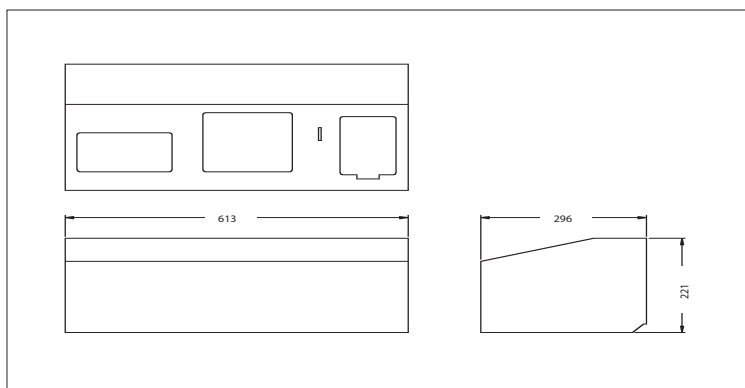
**General:** Safety: All Oasys machines are CE certified and comply with relevant European safety requirements including emergency stops and interlocked guarding.



OEP200 PUNCH FOOTPRINT



OEP100 PUNCH FOOTPRINT



OFT100 FLEX TESTER FOOTPRINT

## TYPICAL SPECIFICATIONS

### OEP200 PC/PVC Punch

- Typical Sheet Size: 140 x 97mm to 510 x 97mm
- Power – 110-120 or 220-240V single phase, 1 KVA
- Machine Weight (packed): 2 crates 152 kgs  
Machine 109 kgs, Tool 43 kgs
- Machine Dimensions (packed):  
Machine L 74 x W56 x H90 cm  
Tool L41 x W26 x H39 cm
- Environment Conditions: Room Temp: 22°C (+ / - 3°C) : Humidity 40% to 55%

### OEP100 PVC PUNCH

- Material thickness 0.5mm to 1mm
- Power – 110-120 or 220-240V single phase, 2 KVA
- Machine Weight (packed): 35 Kgs
- Machine Dimensions (packed): L58 x W50 x H48 cm
- Environment Conditions: Room Temp: 22 °C (+ / - 3 °C) : Humidity 40% to 55%

### OFT100 FLEX TESTER

- Power – 110-120 or 220-240V, single phase, 0.1 KVA
- Machine Weight (packed): 24.5 kgs
- Machine Dimensions (packed): L61.5 x W29.5 x H24 cm
- Environment Conditions: Room Temp: 22 °C (+ / - 3 °C) : Humidity 40% to 55%

- \* Specifications are subject to change without notification.
- \* Actual output rates will be dependent upon product used, settings and configurations.

For further Information:

OASYS TECHNOLOGIES LTD, Unit 3 Stratton Business Park, Montgomery Way, Biggleswade, Bedfordshire, UK, SG18 8UB

Tel: +44 (0) 1767 600232 Fax: +44 (0) 1767 601532 E-mail: sales@oasys.uk.com

Website: www.oasys.uk.com