



OASYS SMALL SCALE SHEET COLLATING SYSTEMS

OHC100 HAND COLLATOR

OHC150 RF CONTACTLESS INLAY HAND COLLATOR

OHP200 RF CONTACTLESS INLAY REGISTRATION HOLE PUNCH



OHC100/OHC150 HAND COLLATORS

OHC100 COLLATORS

- Single or multiple core sheet collation to outer overlay
- Edge reference to adjustable datum pins
- Multi point secure welding
- Fully adjustable heaters to match wide range of products and thicknesses
- Easy to operate by foot switch
- Free standing unit



Datum Edge Registration

OHC150 RF PIN REGISTRATION

- In addition to the datum edge registration, the OHC150 incorporates retractable 'pins' which provide a precision location facility to accurately collate OHP200 pre-punched RF inlays and printed core sheets



Pin Registration



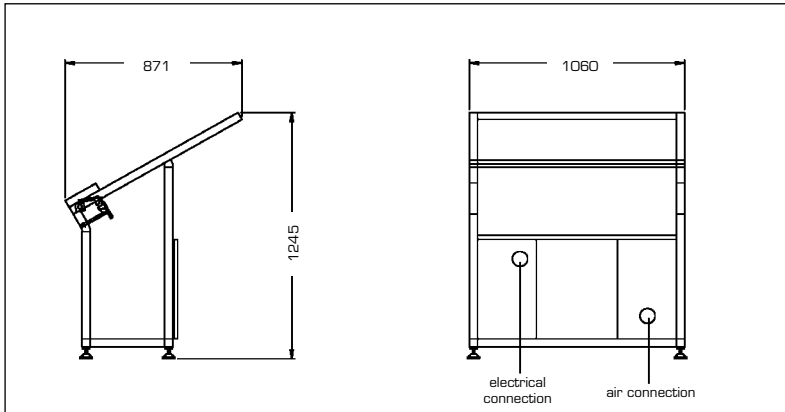
OHP200 RF CONTACTLESS INLAY REGISTRATION HOLE PUNCH

OHP 200 HOLE PUNCH

- Precision registered hole punching of RF contactless inlay sheets and printed core sheets
- Fully automated servo registration with reference to print marks
- User friendly touch screen control man/machine interface

Specifications

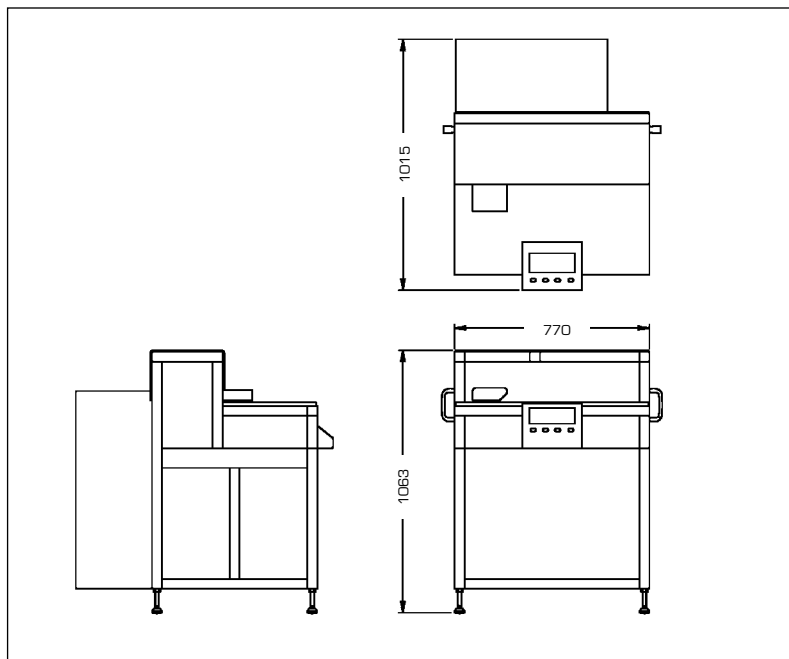
General: Safety: All Oasys machines are CE certified and comply with relevant European safety requirements including emergency stops and interlocked guarding.



OHC100 FOOTPRINT

OHC100/OHC150 SPECIFICATION

- Output 150-180 collated sets per hour
- Electrical: 110-120 or 220-240 V, 50 or 60Hz, 1 Ph, 2 KVA
- Pneumatics: 6 litres/min @ 5.5 bar (0.2 CFM @ 80 psi)
- Machine Weight (packed): 180 kgs approx
- Total Shipping Dimensions (1 crate) L1330 x W930 x H1370 mm



OHP200 FOOTPRINT

OHP200 SPECIFICATION

- Thickness range of material 0.1mm – 0.5mm (Other sizes on request)
- Output: 350 – 500 sheets per hour
- Electrical: 208-230 or 380/415 volts AC, 50 or 60 Hz, 3 Ph, 2 KVA
- Pneumatics: 1 CFM @ 80 PSI (28.3 L/Min @ 5.5 Bar)
- Machine Weight (Packed): 750 kgs approx
- Total Shipping Dimensions (1 crate): L1600 x W950 x H1400 mm

- * Specifications are subject to change without notification.
- * Actual output rates will be dependent upon product used, settings and configurations.

For further information:
OASYS TECHNOLOGIES LTD, Jubilee Trade Centre, Letchworth Garden City, Herts, SG6 1SP, England
Tel: +44 1462 480933 Fax: +44 1462 480292 E-mail: sales@oasys.uk.com Web Site: www.oasys.uk.com